



November 2006

BLOCK PARTY

# QUICK AND EASY JACOB'S LADDER



## SELECT THREE FABRICS:

- Red
- Green
- Neutral (white, cream, etc)

## CUT:

- Two red squares –  $4 \frac{7}{8}$ " X  $4 \frac{7}{8}$ "
- Two neutral squares -  $4 \frac{7}{8}$ " X  $4 \frac{7}{8}$ "
- One green strip –  $2 \frac{1}{2}$ " X 25"
- One neutral strip -  $2 \frac{1}{2}$ " X 25"

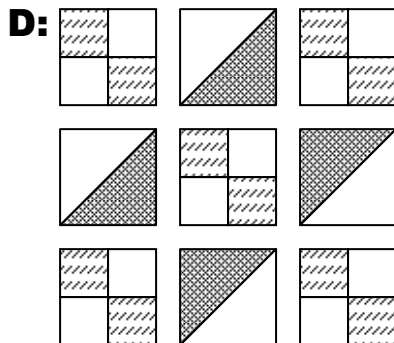
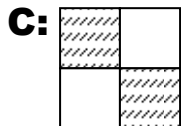
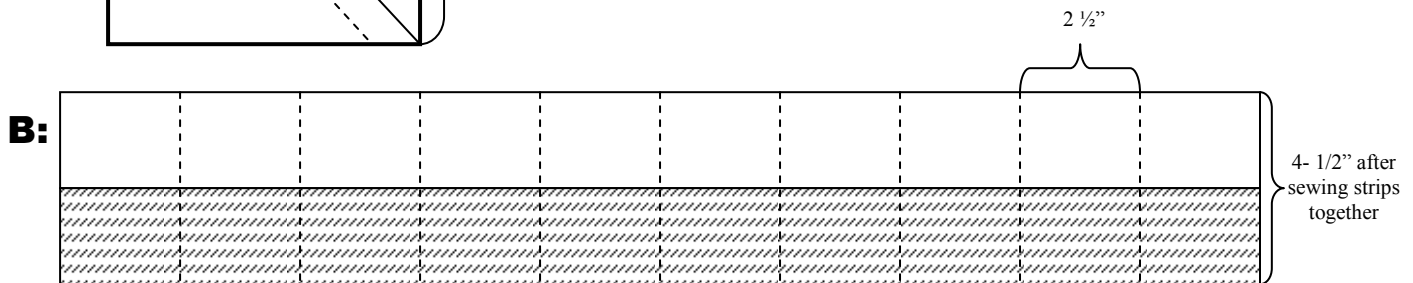
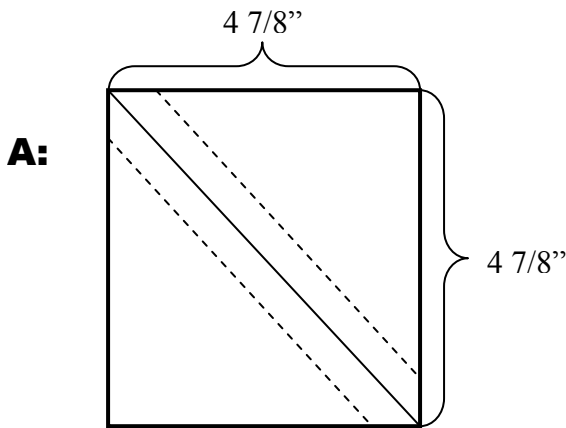
## SEW:

**A:** Place a red square and a neutral square right sides together and draw a line from one corner to the opposite corner (diagram A). Sew  $\frac{1}{4}$ " on either side of the line (see dotted line). Cut apart on the solid line, open and press, and you should have two half-square triangles. Repeat with the other red and neutral squares, ending up with four  $4 \frac{1}{2}$ " squares.

**B:** Place the green strip and the neutral strip right sides together and sew one long (25") side. Open and press (diagram B). Cut this piece into ten  $2 \frac{1}{2}$ " strips as illustrated with the dotted lines.

**C:** Place two of these cut strips right sides and opposite colors together, and sew one  $4 \frac{1}{2}$ " side. Open and press into a four-patch (see diagram C). Repeat to form five  $4 \frac{1}{2}$ " squares.

**D:** Arrange your nine  $4 \frac{1}{2}$ " squares into a nine-patch (diagram D) and sew together. You should end up with a  $12 \frac{1}{2}$ " piece that will finish into a 12" square.



Make as many blocks as you wish. Attach your name to each block twice. One stays with the block and one goes in the drawing bag. The more blocks you make, the more chances you have to win a set of blocks, but you may only win one set.

## QUESTIONS?

Nancy Recker –  
(616) 248-3534

[nkrecker@aol.com](mailto:nkrecker@aol.com)

OR

Linda Lane –  
(616) 691-7889

[bcltreehouse@earthlink.net](mailto:bcltreehouse@earthlink.net)

Difficulty Level:

**EASY**